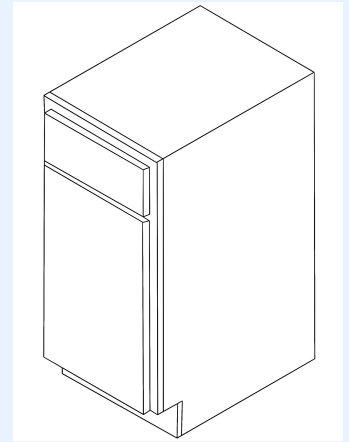


Base Cabinets

1 Drawer
1 Door
1 Shelf

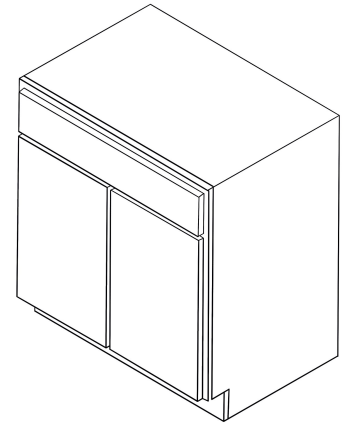
Item Codes	W" x H" x D"
B09	9 X 34.5 X 24
B12	12 X 34.5 X 24
B15	15 X 34.5 X 24
B18	18 X 34.5 X 24
B21	21 X 34.5 X 24



Base Cabinets

1 Drawer
2 Doors
1 Shelf

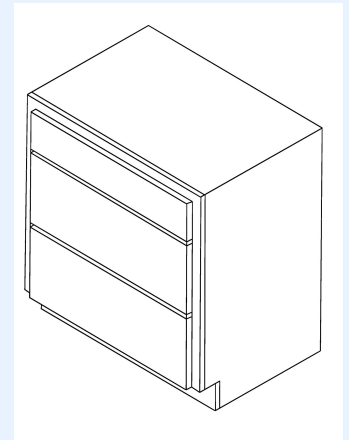
Item Codes	W" x H" x D"
B24	24 X 34.5 X 24
B27	27 X 34.5 X 24
B30	30 X 34.5 X 24
B33	33 X 34.5 X 24
B36	36 X 34.5 X 24



3-Drawer Base Cabinets

1 Small Drawer
2 Large Drawers

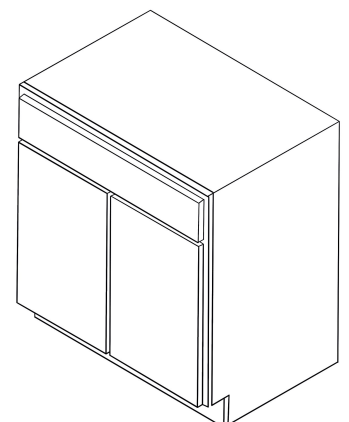
Item Codes	W" x H" x D"
DB15	15 X 34.5 X 24
DB18	18 X 34.5 X 24
DB21	21 X 34.5 X 24
DB24	24 X 34.5 X 24
DB30	30 X 34.5 X 24
DB36	36 X 34.5 X 24



Sink Base Cabinets

1 Drawer Face
2 Doors
Open Back Panel

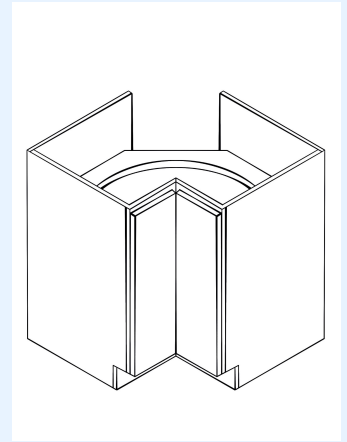
Item Codes	W" x H" x D"
SB30	30 X 34.5 X 24
SB33	33 X 34.5 X 24
SB36	36 X 34.5 X 24



Lazy Susan

1 Bi-Fold Door
2 Rotating Metal
Wire Trays

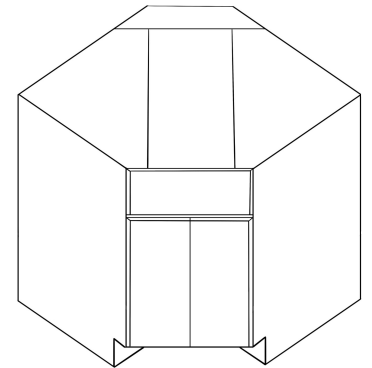
Item Codes	W" x H" x D"
CB33	33 X 34.5 X 24
CB36	36 X 34.5 X 24



Diagonal Corner Base Cabinet

1 Drawer Face
2 Doors

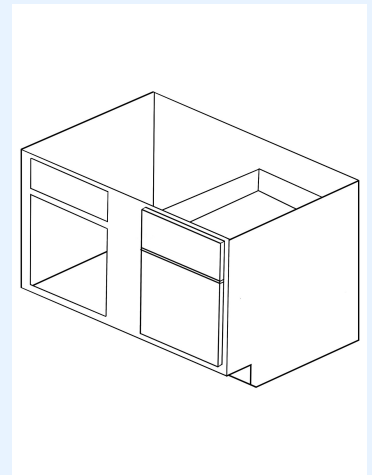
Item Codes	W" x H" x D"
DCB42	42 X 34.5 X 24



Blind Base Cabinets

1 Drawer
1 Door
1 Shelf

Item Codes	W" x H" x D"
LB36	36 X 34.5 X 24
LB42	42 X 34.5 X 24

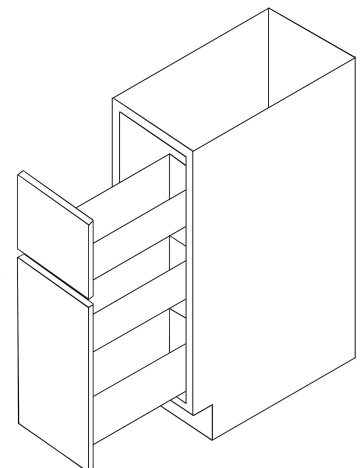


Requires 3" - 6" Clearance from Adjacent Wall

Spice Pullout Base Cabinets

1 Drawer
1 Door
2-Level Wooden
Pullout

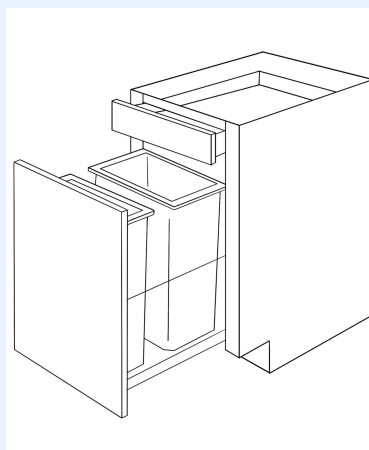
Item Codes	W" x H" x D"
BPO09	9 X 34.5 X 24



Waste Bin Base Cabinet

1 Drawer
1 Door
Single Bin (GAB15)
Double Bin (GAB18,
GAB21)

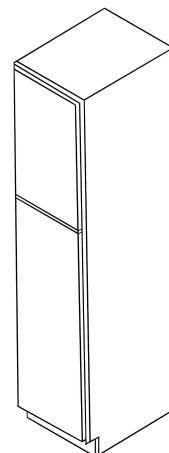
Item Codes	W" x H" x D"
GAB15	15 X 34.5 X 24
GAB18	18 X 34.5 X 24
GAB21	21 X 34.5 X 24



Pantry

2 Door
4 Shelves (84"H)
5 Shelves (94"H)

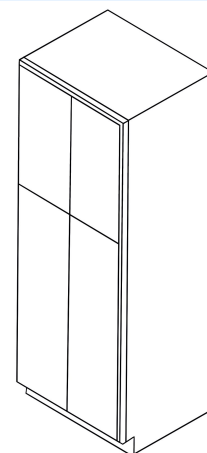
Item Codes	W" x H" x D"
P1884	18 X 84 X 24
P2184	21 X 84 X 24
P1894	18 X 94 X 24
P2194	21 X 94 X 24



Pantry

4 Door
4 Shelves (84"H)
5 Shelves (94"H)

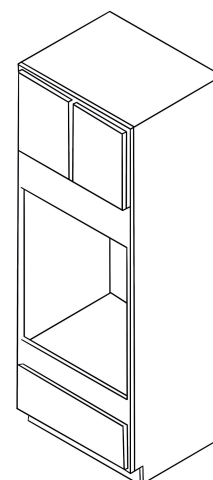
Item Codes	W" x H" x D"
P2484	24 X 84 X 24
P3084	30 X 84 X 24
P2494	24 X 94 X 24
P3094	30 X 94 X 24



Double Oven Cabinet

2 Doors
1 Drawer

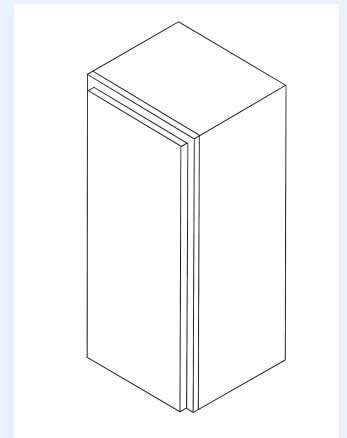
Item Codes	W" x H" x D"
DOV3384	33 X 84 X 24
DOV3394	36 X 94 X 24



30''H
Upper Cabinet

1 Door
1 Shelf

Item Codes	W'' x H'' x D''
W0930	9 X 30 X 12
W1230	12 X 30 X 12
WG1530	15 X 30 X 12
WG1830	18 X 30 X 12
WG2130	21 X 30 X 12

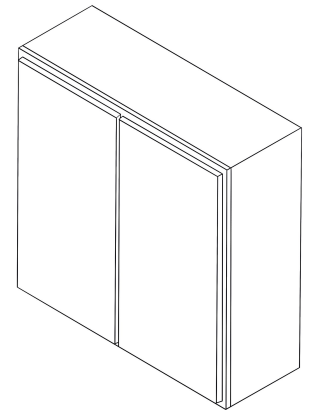


*G - Glass Door Option Available

30''H
Upper Cabinet

2 Door
1 Shelf

Item Codes	W'' x H'' x D''
WG2430	24 X 30 X 12
W2730	27 X 30 X 12
WG3030	30 X 30 X 12
W3330	33 X 30 X 12
WG3630	36 X 30 X 12

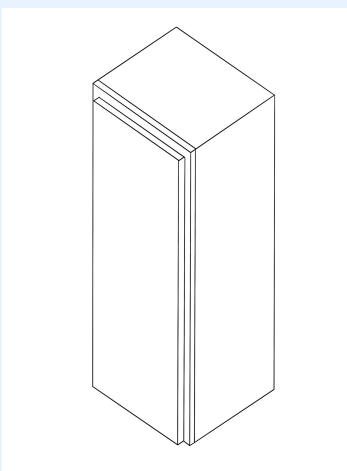


*G - Glass Door Option Available

40''H
Upper Cabinet

1 Door
2 Shelves

Item Codes	W'' x H'' x D''
W0940	9 X 40 X 12
W1240	12 X 40 X 12
WG1540	15 X 40 X 12
WG1840	18 X 40 X 12
WG2140	21 X 40 X 12

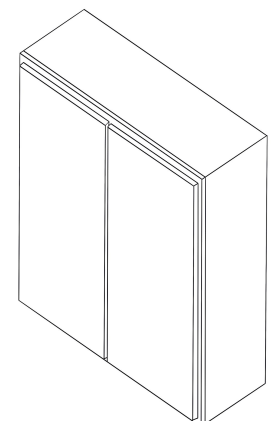


*G - Glass Door Option Available

40''H
Upper Cabinet

2 Doors
2 Shelves

Item Codes	W'' x H'' x D''
WG2440	24 X 40 X 12
W2740	27 X 40 X 12
WG3040	30 X 40 X 12
W3340	33 X 40 X 12
WG3640	36 X 40 X 12



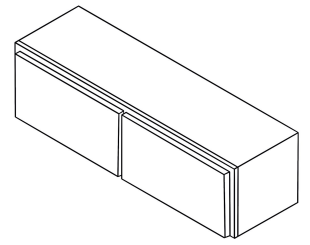
*G - Glass Door Option Available

Short
Upper Cabinet

2 Doors

(Available in: 12”H,
15”H, 18”H, 21”H,
24”H)

Item Codes	W” x H” x D”
W3012	30 X 12 X 12
W3312	33 X 12 X 12
W3612	36 X 12 X 12

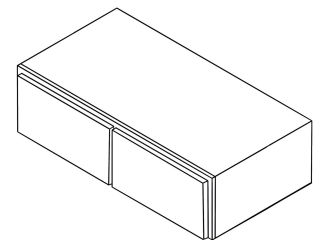


24”D Short
Upper Cabinet

2 Doors

(Available in: 12”H,
15”H, 18”H, 21”H,
24”H)

Item Codes	W” x H” x D”
W301224	30 X 12 X 24
W331224	33 X 12 X 24
W361224	36 X 12 X 24



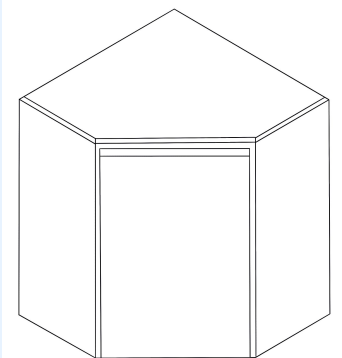
Diagonal Corner
Upper Cabinet

1 Door

1 Shelf (CW2430)

2 Shelves (CW2440)

Item Codes	W” x H” x D”
CWG2430	24 X 30 X 12
CWG2440	24 X 40 X 12



*G - Glass Door Option Available

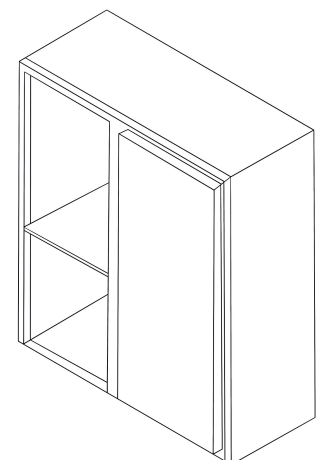
Blind
Upper Cabinet

1 Door

1 Shelf (LW2430)

2 Shelves (LW2440)

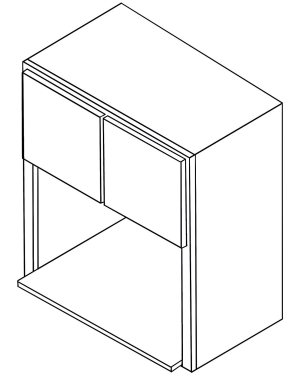
Item Codes	W” x H” x D”
LW2730	27 X 30 X 12
LW2740	27 X 40 X 12



Microwave Upper Cabinet

2 Doors
1 Open Shelf

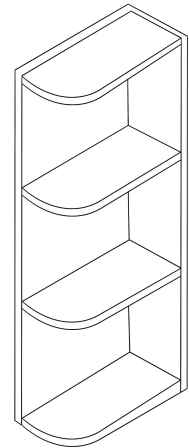
Item Codes	W" x H" x D"
WM2730	27 X 30 X 12
WM3030	30 X 30 X 12
WM2740	27 X 40 X 12
WM3040	30 X 40 X 12



End Shelves

1 Shelf (WQC0630)
2 Shelves
(WQC0640)

Item Codes	W" x H" x D"
WQC0630	6 X 30 X 12
WQC0640	3 X 40 X 12



Miscellaneous Items

Crown Molding - 2 ½" X 96"

Toekick - 4 ½" X 96"

Scribe Molding (Trim) - ¾" X 96"

Filler - 3"X30", 3"X40", 6"X30", 6"X40"

¼" Panel - 48" X 96" X ¼"

½" Panel - 48" X 96" X ½"

Refrigerator Panel - 24" X 96"

Refrigerator Trim - 1 ½" X 96" X ¾"

Dishwasher Panel - 24" X 34 ½"

Dishwasher Trim - 1 ½" X 24" X ¾"

(Dishwasher Panel & Trim Sold as Set)

90 Corner Trim - Outside Corner Trim

What Do Cabinets Come With?

- Cabinet Door Hinges
- Drawer Tracks
- Cabinet Door Bumpers
- Shelf Pegs (if listed cabinet comes with a shelf/shelves)

***PLEASE NOTE: Cabinet handles, pulls, and knobs are SOLD SEPARATELY.**

How to Read Product Codes

W 30 12 24

W - Cabinet Category

30 - Width

12 - Height

24 - Depth

Cabinet Category

B - *Base Cabinet*

DB - *Drawer Bank Cabinet*

W - *Wall Cabinet*

WG - *Wall Glass Door Cabinet*

P - *Pantry Cabinet*

P - *Pantry Cabinet*

WM - *Wall Microwave Cabinet*

DOV - *Double Oven Cabinet*

WQC - *End Shelf*

Scan to see
Cabinet Selection



Contact Us

Address: 2048 Williams Street, San Leandro, CA 94577

Phone: (510) 895-8182

Email: info@ussuperiorstonetile.com